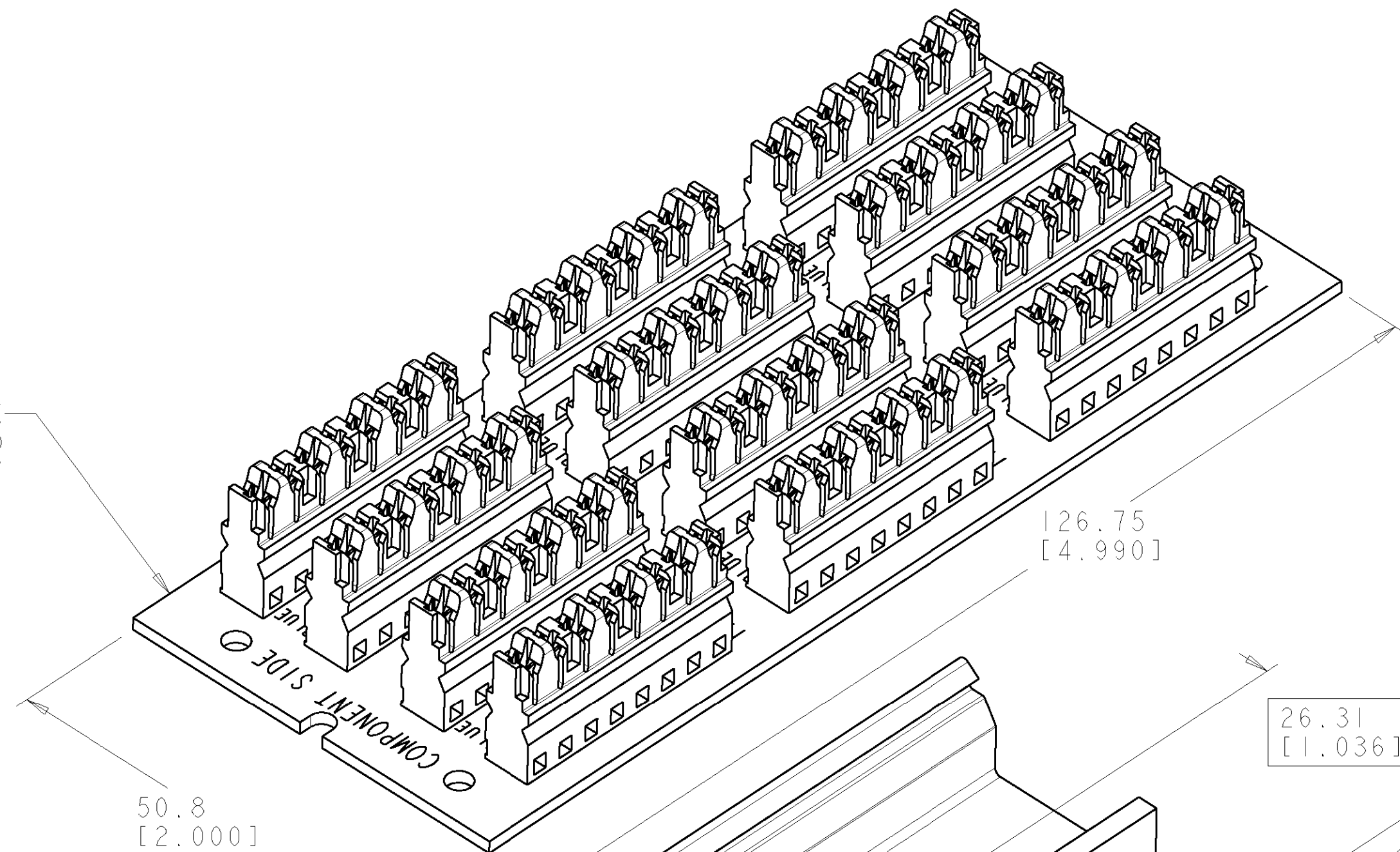


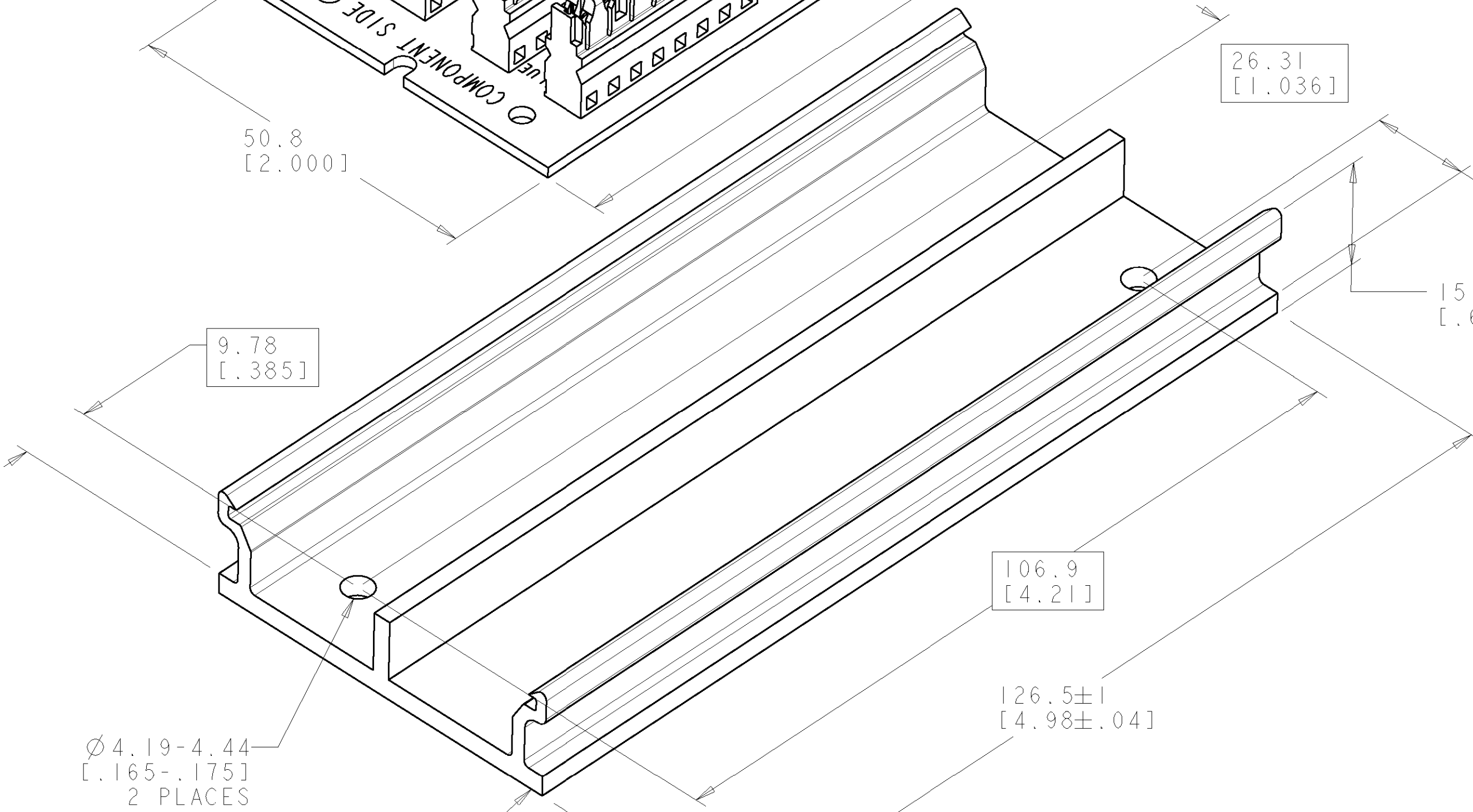
THIS DRAWING IS UNPUBLISHED. RELEASED FOR PUBLICATION 20
 © COPYRIGHT 20 BY TYCO ELECTRONICS CORPORATION. ALL RIGHTS RESERVED.

LOC	DIST	REVISIONS					
HM	00	P	LTR	DESCRIPTION	DATE	DWN	APVD
		O		RLSD; NPR NSD02-137	11DEC2002	GG	LS
		A		REV-EC 0B40-0151-03	24JUN03	LH	LS

110 BLOCK
JUMPER BOARD
ASSEMBLY



- 1. MATERIAL: PRINTED CIRCUIT BOARD - LAMINATED PLASTIC SHEET, 1.57[.062] THICK. 110 BLOCK - POLYMER MOLDING COMPOUND, IVORY. TERMINALS - PHOSPHOR BRONZE PLATED WITH 3.81um[.000150] MINIMUM THICK TIN-LEAD OVER 1.27um[.000050] MINIMUM THICK NICKEL UNDERPLATE. MOUNTING TRACK - POLYMER MOLDING COMPOUND, BLACK.
- 2. 110 BLOCK WILL TERMINATE 22-26 AWG SOLID CONDUCTORS OR 22-26 AWG 7 STRAND CONDUCTORS.
- 3. ALL DIMENSIONS ARE NOMINAL UNLESS OTHERWISE SPECIFIED.
- 4. PACKAGE 5 KITS PER BOX.
- 5. PRODUCTS PERFORMANCE MEETS OR EXCEEDS THE REQUIREMENTS OF TIA 568, LATEST ISSUE.



MOUNTING TRACK
ASSEMBLY

1479384-1
PART NUMBER

<small>THIS DRAWING IS A CONTROLLED DOCUMENT FOR TYCO ELECTRONICS CORPORATION. IT IS SUBJECT TO CHANGE AND THE CONTROLLING ENGINEERING ORGANIZATION SHOULD BE CONTACTED FOR THE LATEST REVISION.</small>		DWN G GARRETT 11DEC02 CHK L SIMPSON 11DEC02 APVD L SIMPSON 11DEC02	tyco Tyco Electronics Harrisburg, PA 17105-3608
DIMENSIONS: MM [INCHES]	TOLERANCES UNLESS OTHERWISE SPECIFIED: 0 PLC ± 1 PLC ± 2 PLC ± 3 PLC ± 4 PLC ± ANGLES ± FINISH	PRODUCT SPEC - APPLICATION SPEC - WEIGHT -	NAME JUMPER BOARD KIT, 110 BLOCK, CATEGORY 5E SIZE A2 CASE CODE 00779 DRAWING NO. 1479384
MATERIAL 1 -	FINISH 1 -	CUSTOMER DRAWING	RESTRICTED TO SCALE 2:1 SHEET 1 OF 1 REV A